

STANDING SERVER CABINET 42U 600*800 WIDE WITH GLASS



Equipped with

- ◆ Removable side walls
- ◆ Floor and roof plate with prepared ventilation openings
- ◆ 4x 19 inch profile with height indication
- ◆ Doors to open both on the right side and on the left side
- ◆ Cable entry at the top and bottom
- ◆ Front door, rear door and side walls equipped with locks
- ◆ Assembled delivery
- ◆ Fully demountable

Maximum load

- ◆ 800 kg

Included

- ◆ 40 cage nut sets
- ◆ 4 height adjustable feet
- ◆ 4 keys (2 per lock)



STANDING SERVER CABINET 42U 600*800 WIDE WITH GLASS

SPECIFICATIONS

NAMES	QUANTITY	MATERIALS
Top Covers	1	1.2mm cold-rolled steel
Bottom plates	1	1.2mm cold-rolled steel
Fans	4	1.2mm cold-rolled steel
Frames	2	1.2mm cold-rolled steel
Front doors	1	5mm tempered glasses 1.2mm cold-rolled quality steel
Back doors	1	1.2mm cold-rolled steel
Side Panels	2	1.0mm cold-rolled steel
Rails	4	2.0mm cold-rolled steel
Shelves	1	1.2mm cold-rolled steel
Casters	4	
Cage nuts	40	
M12 Support Feet	4	
Sockets With 8 Outlet	1	
Beams	6	1.2mm cold-rolled steel
Junction Boxes	12	2.0mm cold-rolled steel

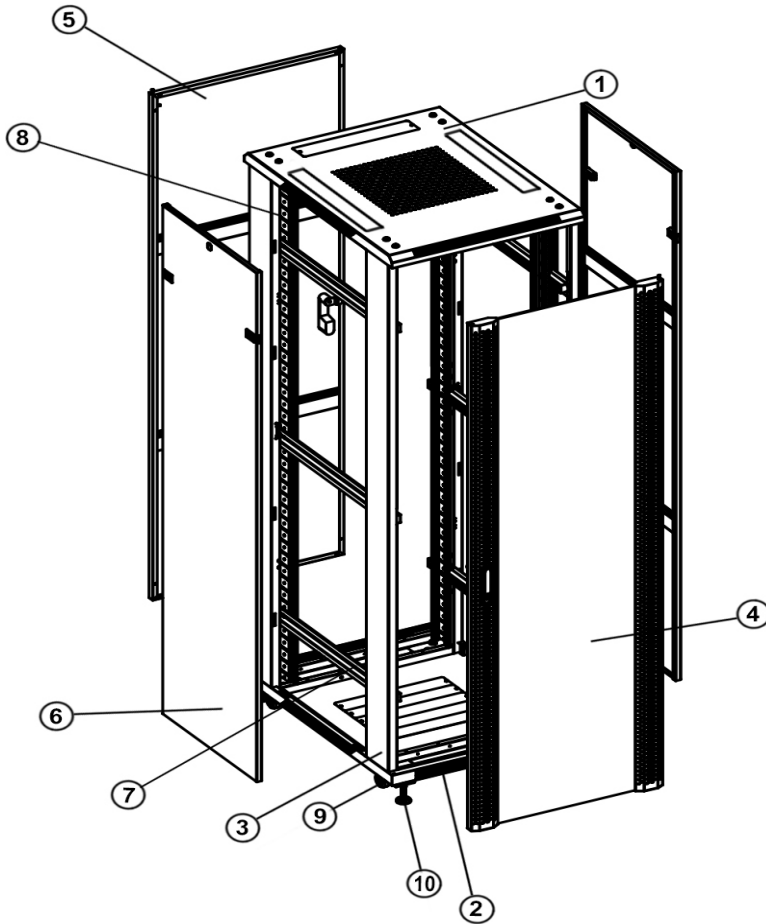
Color	BLACK (RAL9005)- Powder Coating
-------	---------------------------------

CAPACITY (U)	42U
WIDTH	600
DEPTH	800
HEIGHT	2025

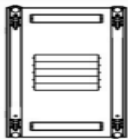


STANDING SERVER CABINET 42U 600*800 WIDE WITH GLASS

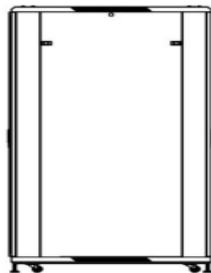
DETAILED DRAWING



- 1 Top plate with cable entry
- 2 Bottom plate
- 3 Doorframes
- 4 Glass door with lock
- 5 Back door with lock
- 6 Removable side walls with lock
- 7 Horizontal crossbars
- 8 Vertical profile rails
- 9 Height adjustable feet
- 10



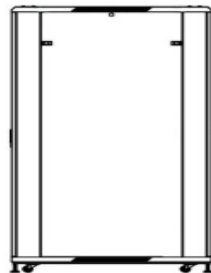
Bottom view



Side view



Front view



Side view



Back view



Top view



STANDING SERVER CABINET 42U 600*800 WIDE WITH GLASS

Logistics

Packing Dimensions (mm)	1980*820*320
Weight	94 [kg]
Use	inside, IP20

Ordering Information

Part Number	MS2.6842.9001W
Product Description	SPECTRUM Standing Server Rack 42U 600*800

Notes



Spectrum Cables & Systems
www.spectrum-sys.uk

A complete listing of the trademarks of Spectrum Cables & Systems is available at Spectrum Cables&Systems is ISO 9001 certified. © 2012 Spectrum Cables & Systems. All rights reserved