

Wall mount Rack 12U 600*600



Wall mount Rack 12U 600*600

Equipped with

Removable side walls
Floor and roof plate with prepared ventilation openings
4x 19 inch profile with height indication
Doors to open both on the right side and on the left side
Cable entry at the top and bottom
Front door, rear door and side walls equipped with locks
Assembled delivery
Fully demountable

Maximum load

800 kg

Included

20 cage nut sets
4 height adjustable feet
8 keys (2 per lock)





Wall mount Rack 12U 600*600

SPECIFICATIONS

NAMES	QUANTITY	MATERIALS
Top Covers	1	1.0mm cold-rolled steel
Bottom plates	1	1.0mm cold-rolled steel
Frames	2	1.0mm cold-rolled steel
Front doors	1	5mm tempered glasses 1.2mm cold-rolled steel
Side panels	2	1.2mm cold-rolled steel
Horizontal brackets	4	1.2mm cold-rolled steel
L-shaped panels	2	1.2mm cold-rolled steel
Back panels	1	1.0mm cold-rolled steel
Wall hanging panels	1	1.2mm cold-rolled steel
Profile rails	4	1.5mm cold-rolled steel
Cage nuts	20	
Sockets with 6 outlet 16A – 3500 Watt	1	
Fans	1	1.2mm cold-rolled steel
Shelves	1	1.2mm cold-rolled steel

Color	BLACK (RAL9005)- Powder Coating
-------	---------------------------------

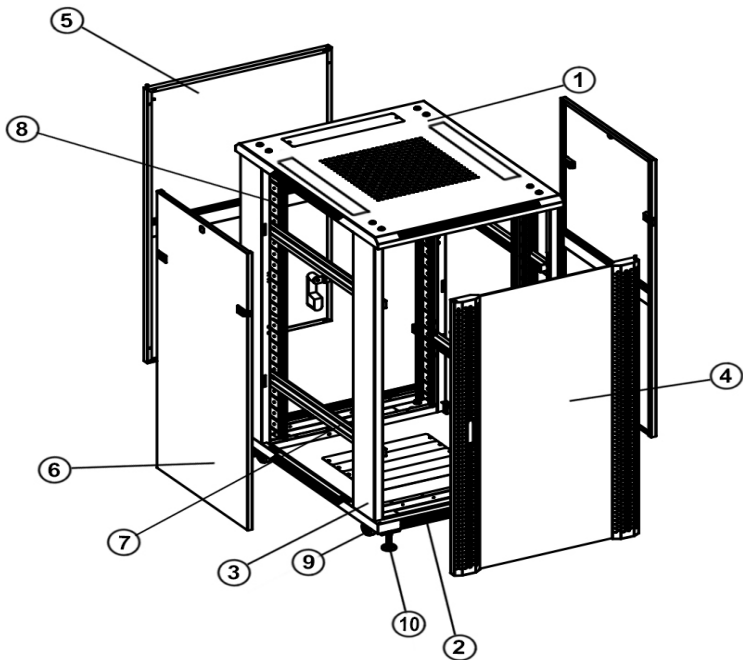
CAPACITY (U)	12U
WIDTH	600
DEPTH	600
HEIGHT	636

Logistics

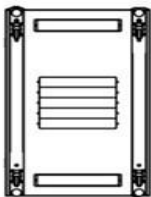
Packing Dimensions (mm)	620*620*660
Weight	41 / 43 [kg]
Use	inside, IP20

Wall mount Rack 12U 600*600

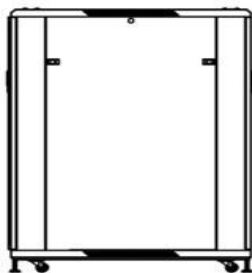
DETAILED DRAWING



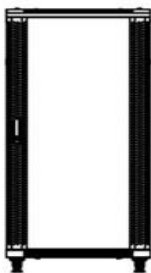
1	Top plate with cable entry
2	Bottom plate
3	Doorframes
4	Glass front door with lock
5	Back door with lock
6	Removable side walls with lock
7	Horizontal crossbars
8	Vertical profile rails
9	Height adjustable feet



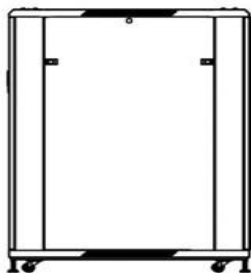
Bottom view



Side view



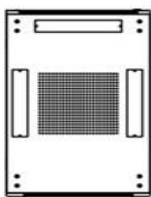
Front view



Side view



Back view



Top view



Wall mount Rack 12U 600*600

Ordering Information

Part Number	MP.6612.9001
Product Description	SPECTRUM 12U RACK cabinet, wall mounted, 600x600

Notes



Spectrum Cables & Systems

www.spectrum-sys.uk

A complete listing of the trademarks of Spectrum Cables & Systems is available at
Spectrum Cables&Systems is ISO 9001 certified. © 2012 Spectrum Cables & Systems. All rights reserved