

## Wall mount Rack 9U 600\*600



### Equipped with

- ◆ Removable side walls
- ◆ Floor and roof plate with prepared ventilation openings
- ◆ 4x 19-inch profile with height indication
- ◆ Doors to open both on the right side and on the left side
- ◆ Cable entry at the top and bottom
- ◆ Front door, rear door and side walls equipped with locks
- ◆ unassembled delivery

### Maximum load

- ◆ 80 kg

### Included

- ◆ 20 cage nut sets
- ◆ 6 keys (2 per lock)

# Wall mount Rack 9U 600\*600

## SPECIFICATIONS

NAMES	QUANTITY	MATERIALS
Top Covers	1	1.0mm cold-rolled steel
Bottom plates	1	1.0mm cold-rolled steel
Frames	2	1.0mm cold-rolled steel
Front doors	1	5mm tempered glasses 1.2mm cold-rolled steel
Side panels	2	1.2mm cold-rolled steel
Horizontal brackets	4	1.2mm cold-rolled steel
L-shaped panels	2	1.2mm cold-rolled steel
Back panels	1	1.0mm cold-rolled steel
Wall hanging panels	1	1.2mm cold-rolled steel
Profile rails	4	1.5mm cold-rolled steel
Cage nuts	20	
Sockets with 6 outlet 16A – 3500 Watt	1	
Fans	1	1.2mm cold-rolled steel
Shelves	1	1.2mm cold-rolled steel

Color	BLACK (RAL9005)- Powder Coating
-------	---------------------------------

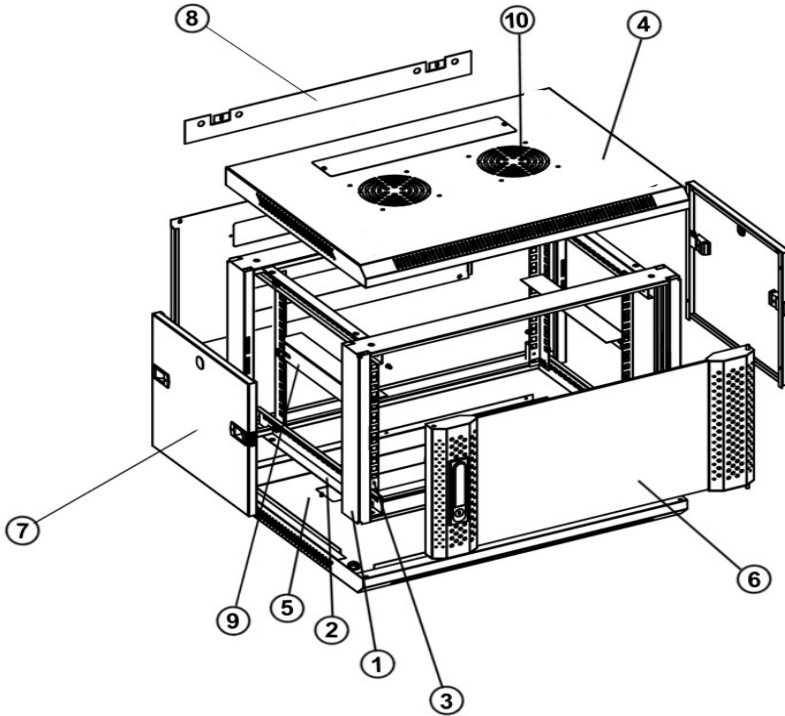
CAPACITY (U)	9U
WIDTH	600
DEPTH	600
HEIGHT	500

## Logistics

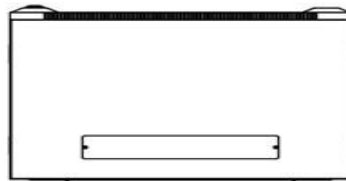
Packing Dimensions (mm)	620*620*530
Weight	24 / 26 [kg]
Use	inside, IP20

# Wall mount Rack 9U 600\*600

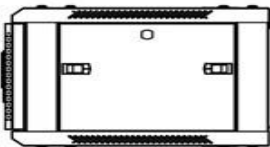
## DETAILED DRAWING



1	Frame
2	Horizontal crossbars
3	Vertical profile rails
4	Top plate with cable entry
5	Bottom plate
6	Glass door with lock
7	Removable side walls with lock
8	L-shaped bar
9	Ventilation holes including a cover plate on the inside of the server cabinet



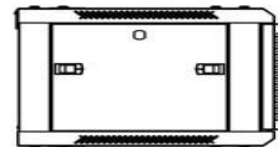
Bottom view



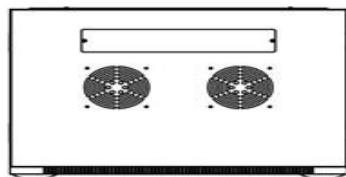
Side view



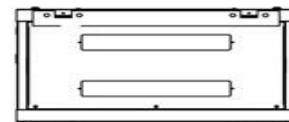
Front view



Side view



Top view



Back view



# Wall mount Rack 9U 600\*600

## Ordering Information

Part Number	MP.6609.9001
Product Description	SPECTRUM 9U RACK cabinet, wall mounted, 600x600

## Notes



**Spectrum Cables & Systems**  
**[www.spectrum-sys.uk](http://www.spectrum-sys.uk)**

A complete listing of the trademarks of Spectrum Cables & Systems is available at Spectrum Cables & Systems is ISO 9001 certified. © 2012 Spectrum Cables & Systems. All rights reserved

# Wall mount Rack 9U 600\*600